

Dueto

MR16A6EF20021A0

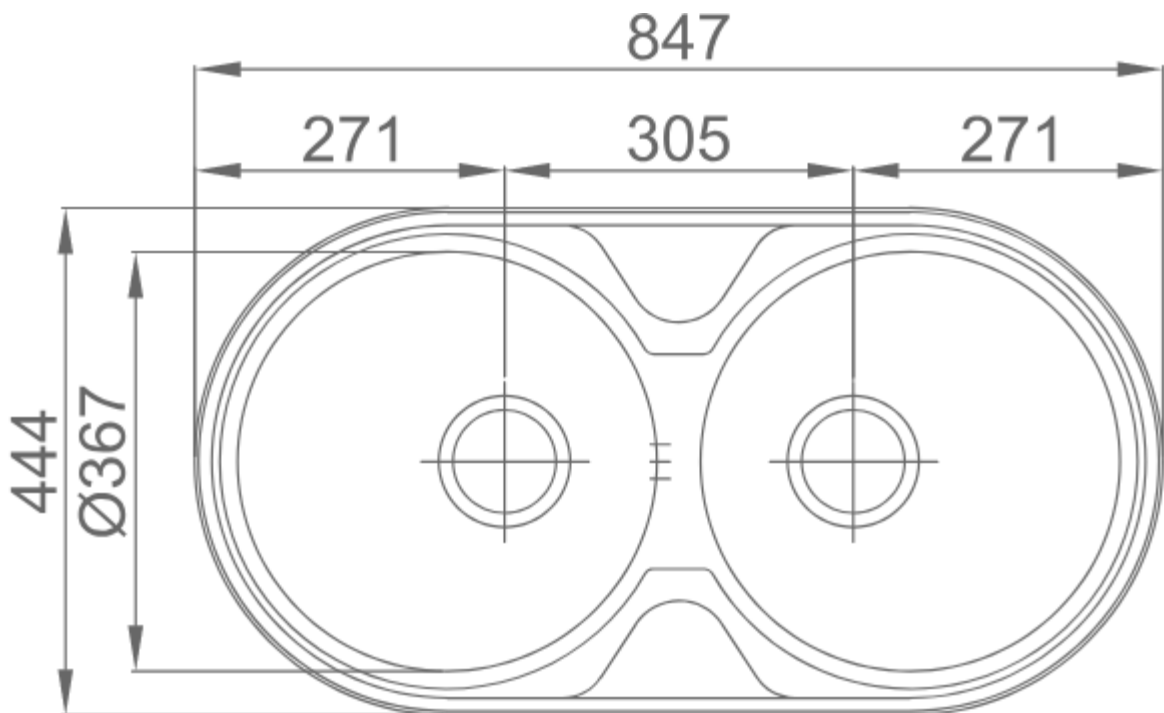
version 01

date 13/08/2018



## FEATURES

- Inset sink
- Bowl Measure:  $\varnothing 367 \times \varnothing 367 \text{mm}$
- Depth: 145mm



meco international pty ltd.

[meco.com.au](http://meco.com.au)

for all sales & product inquiries email [sales@meco.com.au](mailto:sales@meco.com.au) or call (02) 9618 6999

\*all measurements are subject to accepted manufacturing tolerances. please check actual product dimensions prior to installation. meco international pty ltd reserves the right to change specifications at any time without giving prior notification.